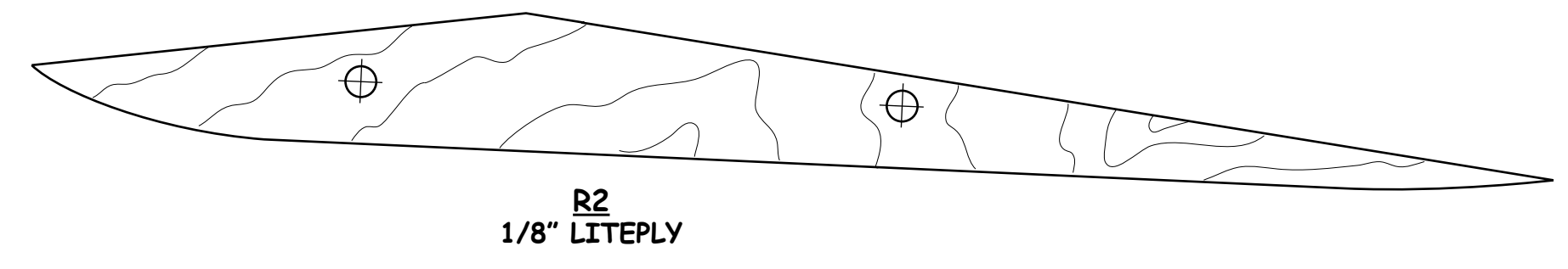
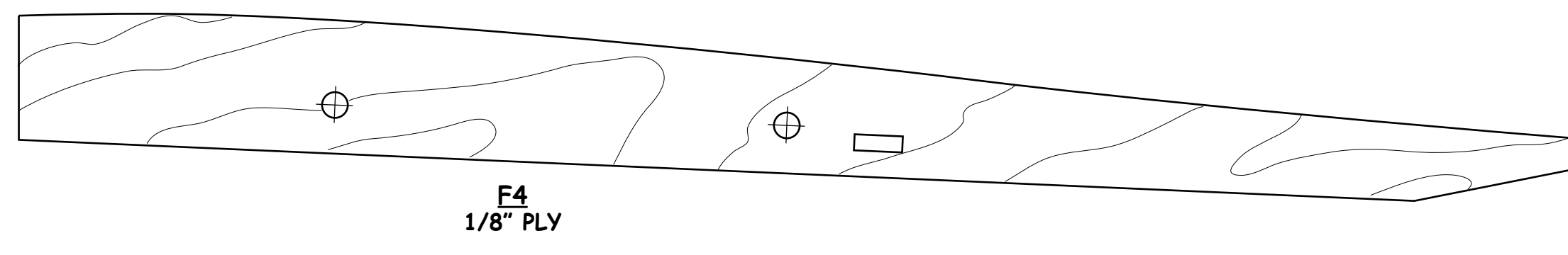
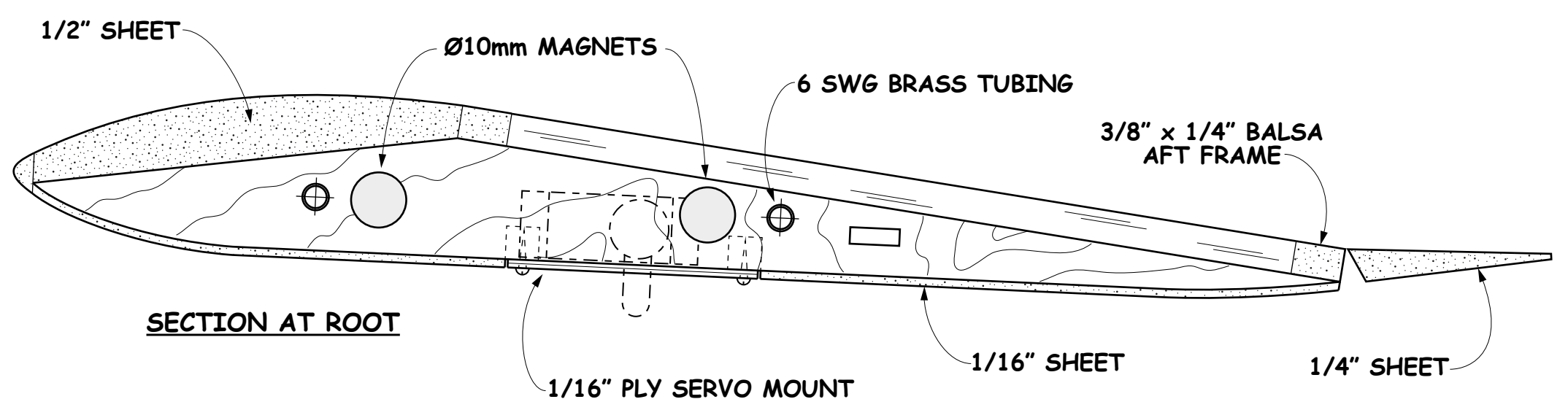
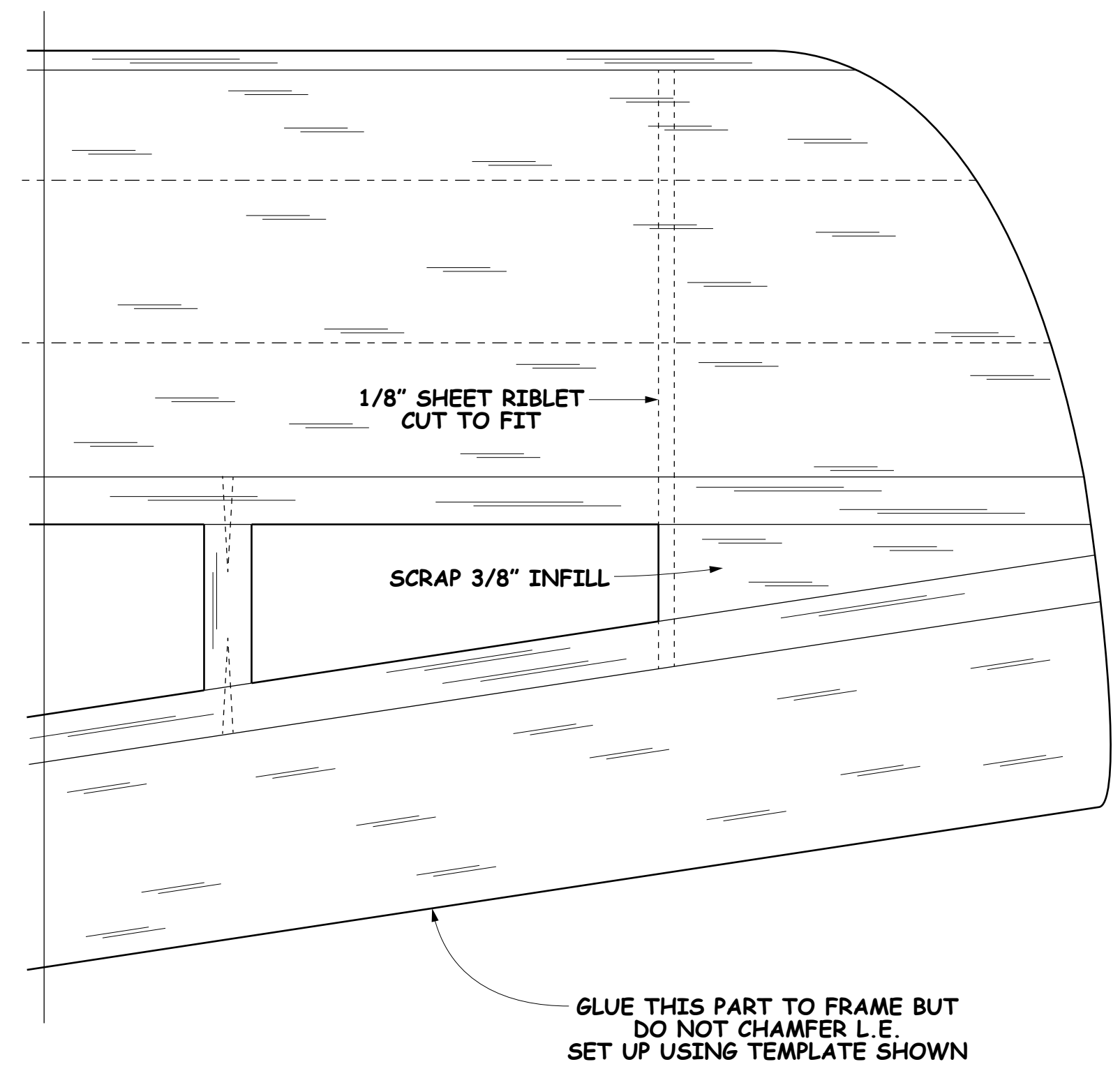
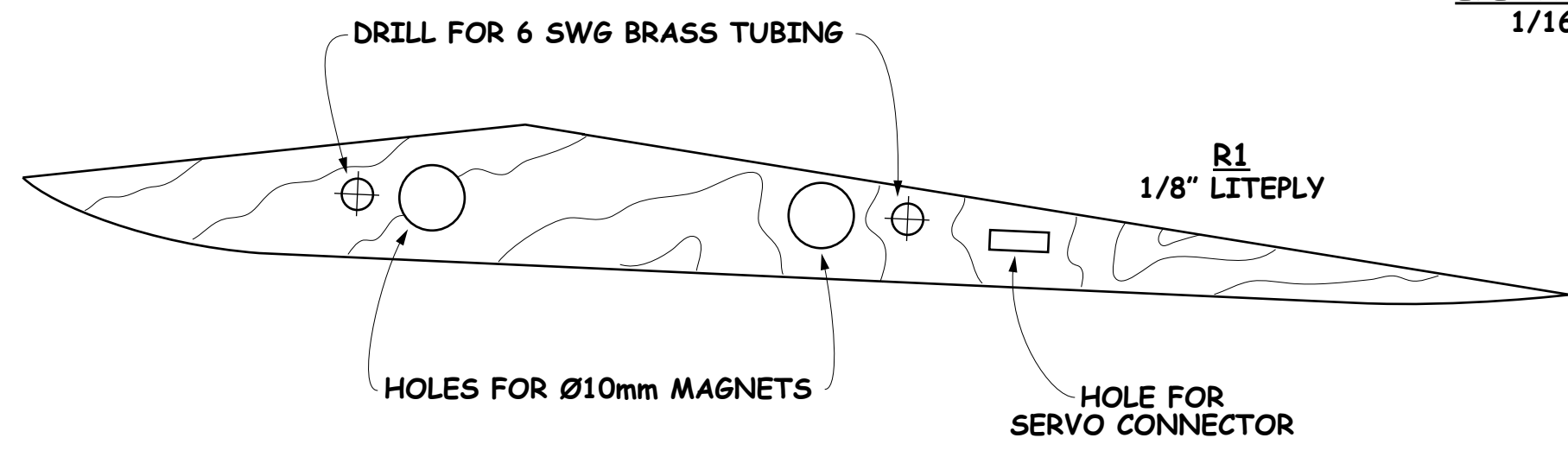


WUNBESIX

BY MIKE WHITE

PLAN No: RC2220	No. OF SHEETS: 1 OF 2	First published in RCM&E June 2020
-----------------	-----------------------	------------------------------------



MM SCALE

IN. SCALE